

# TECHNICAL DATA SHEET

## HOURGLASS

### Bath Filler

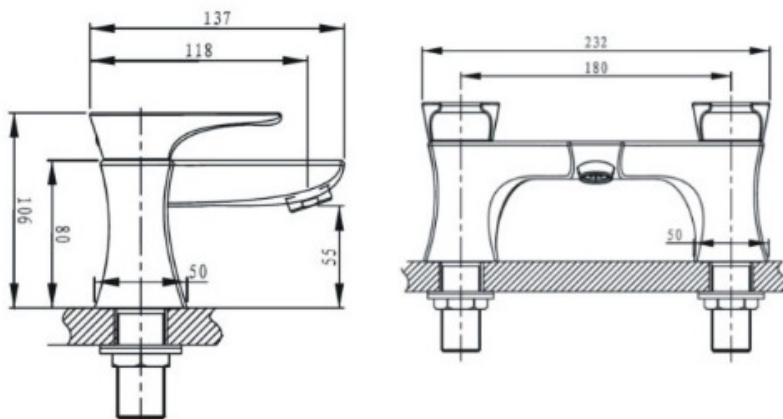
### Product Specification

Product Code:	HOU BF C
Finish:	Chrome
Product Type:	Contemporary
Construction:	Body is of Brass Construction and is designed to conform to BS EN 200
Valve Type:	1/4 turn 3/4" Ceramic Disc Valves
Supply:	Suitable for all plumbing systems,
Inlet Connections:	3/4" BSP
Water Pressure:	Min 0.2 bar, Max. 8.0 bar



### Additional Information

- Supplied with metal handles and backnuts
- Chrome plated to BS EN 248



### Flow Rates (litres per minute)

System Pressure	0.2bar	0.5bar	1.0bar	2.0bar	3.0bar	5.0bar
Bath Filler (Hot)	12.3	28.4	40.3	57.7	70.67	91.23
Bath Filler (Cold)	11.8	30	41.6	59.3	64.4	93.76

### Compliance/Approvals

WRAS Approval No: 1403023

**Technical Advice:** For further information please call 0844 7016273  
or email [customercare@bristan.com](mailto:customercare@bristan.com)

**Guarantee:** 5 years covering manufacturing faults.